

Vector HF3322-2 SilkSteel

The sleek slim-rim design and minimal radius corners give the Vector series a professional look. Add in Franke's unique quick install system for top mount installations and you have a easier DIY solution. The Vector series sinks can also be installed undermount and are available in multiple sizes and bowl configurations.

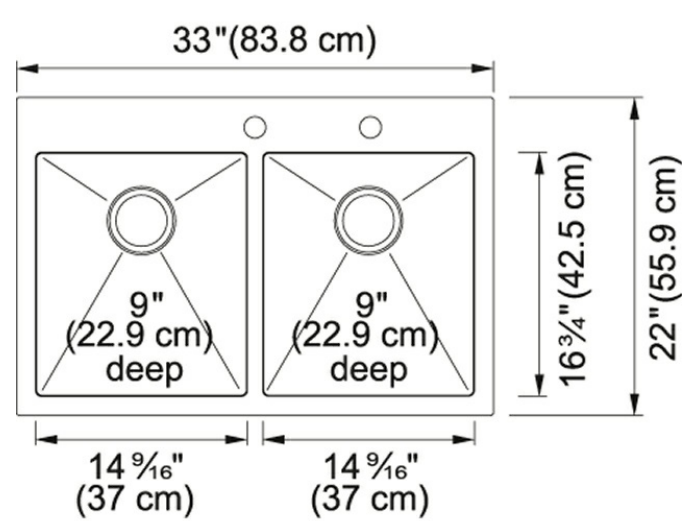
Product Picture



Product Dimensions

Length overall	33"
Width overall	22"
Depth Overall	9"
Length of large bowl	16 3/4"
Width of large bowl	14 9/16"
Depth of large bowl	9"
Minimum Cabinet Size	36"

Technical Drawing



General Information

Type of Material	18 Gauge Stainless Steel
Number of Bowls	2
Faucet Hole	2
Where to buy	Home Center

Article Numbers

FUN#	101.0331.357
US Part Number	HF3322-2

